



Package Contents



Camera



Cable Gland



Screw Anchors (Qty. 2)



Self-Tapping Screws (Qty. 2)



Pole Mount Bracket



Machine Screws (Qty. 2)

Installation Requirements

- Shielded Category 5 (or above) cabling should be used for all wired Ethernet connections and should be grounded through the AC ground of the PoE. We recommend that you protect your networks from harmful outdoor environments and destructive ESD events with industrial-grade, shielded Ethernet cable from Ubiquiti. For more details, visit ui.com/toughcable

Hardware Overview



UVC-G3-BULLET Quick Start Guide



1 Ethernet Port

10/100 RJ45 port connects to an 802.3af PoE switch for PoE power and data.

2 Reset Button

To reset to factory defaults, press and hold the Reset button for more than 10 seconds while the camera is powered on.

Hardware Installation

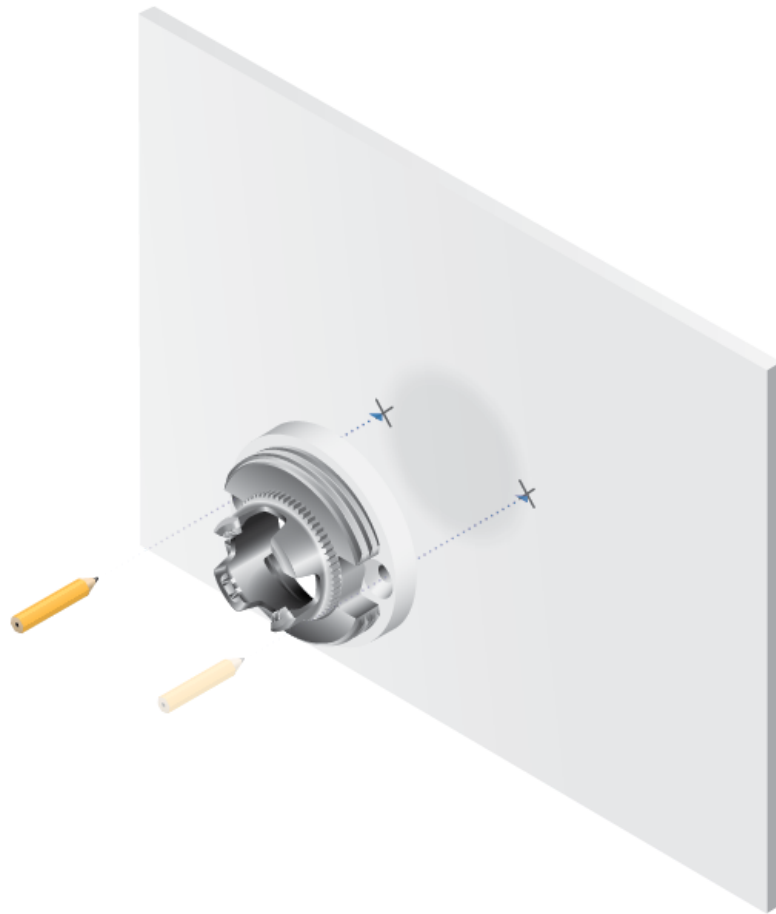
Wall/Ceiling Mount



UVC-G3-BULLET Quick Start Guide

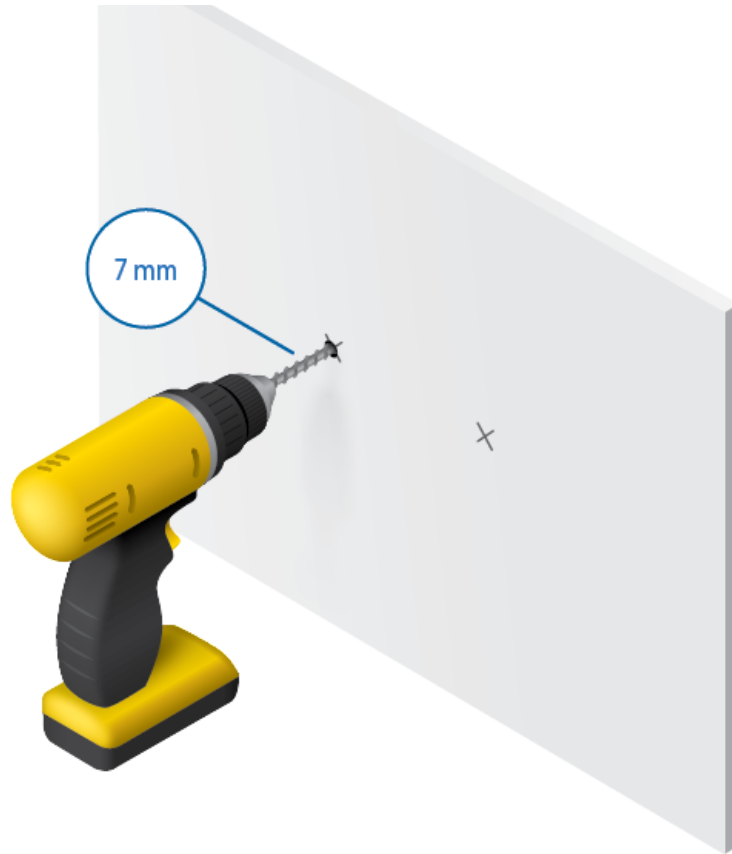


2.





UVC-G3-BULLET Quick Start Guide



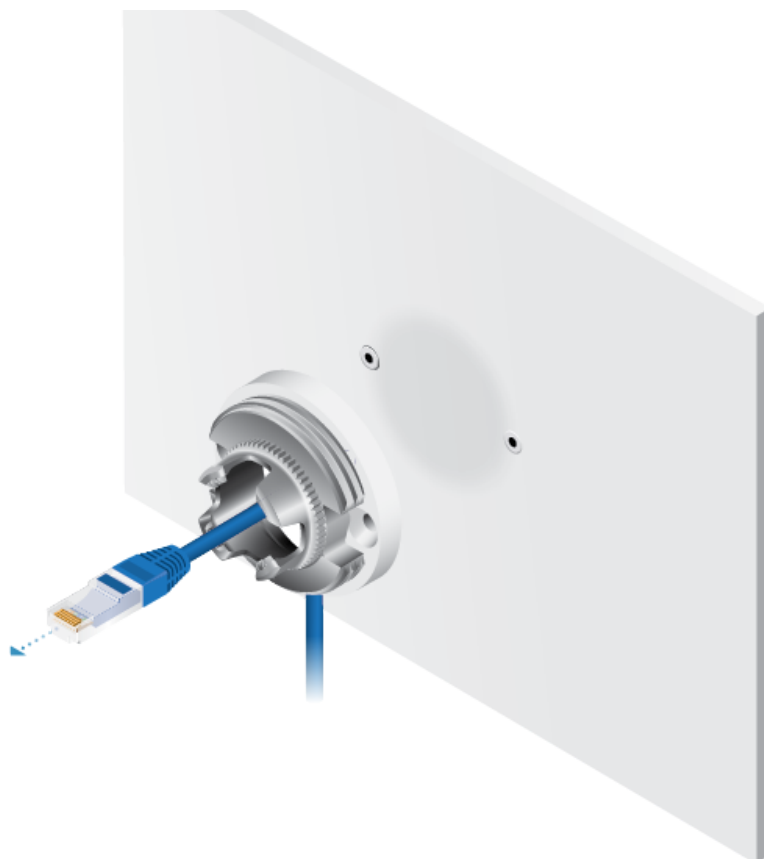
4.



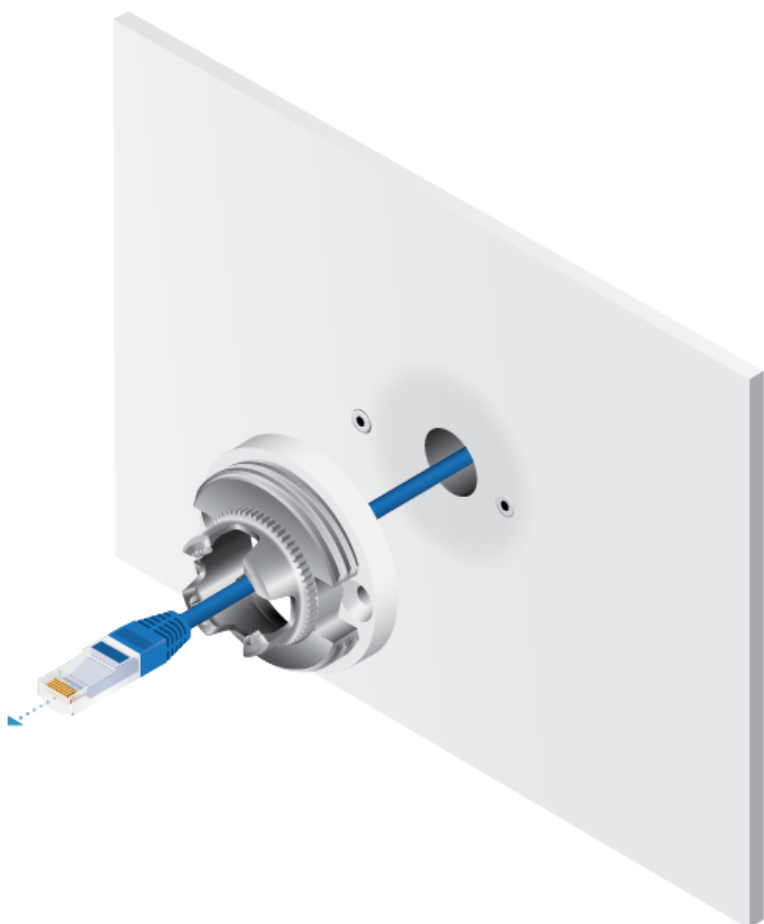
5.



UVC-G3-BULLET Quick Start Guide

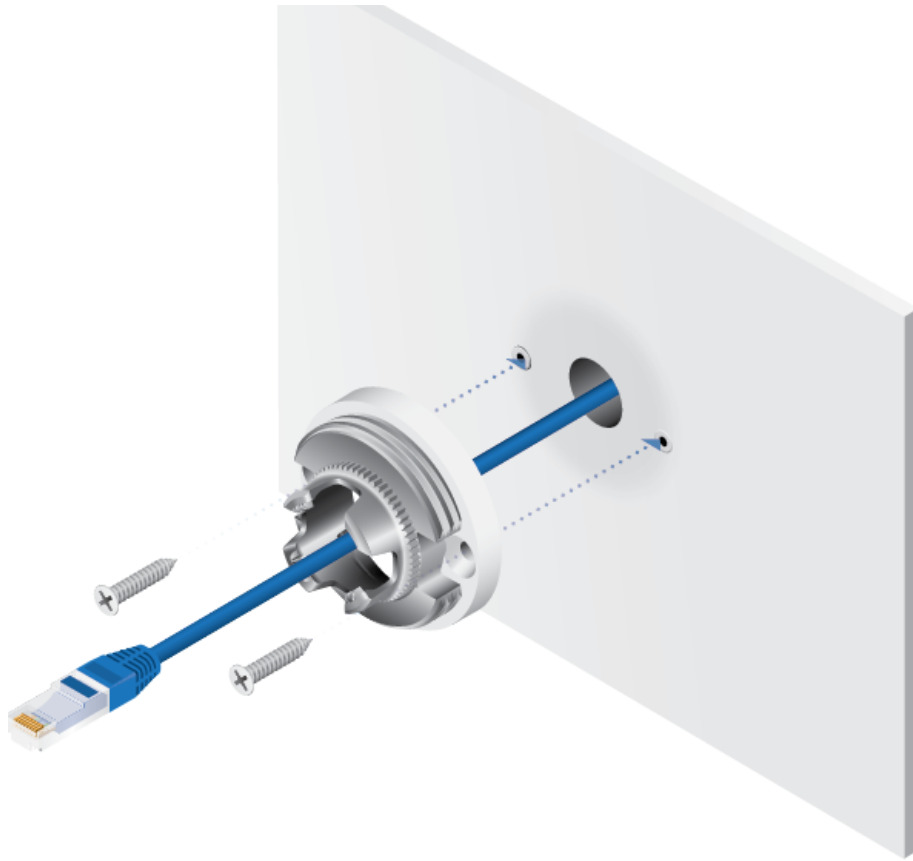


OR

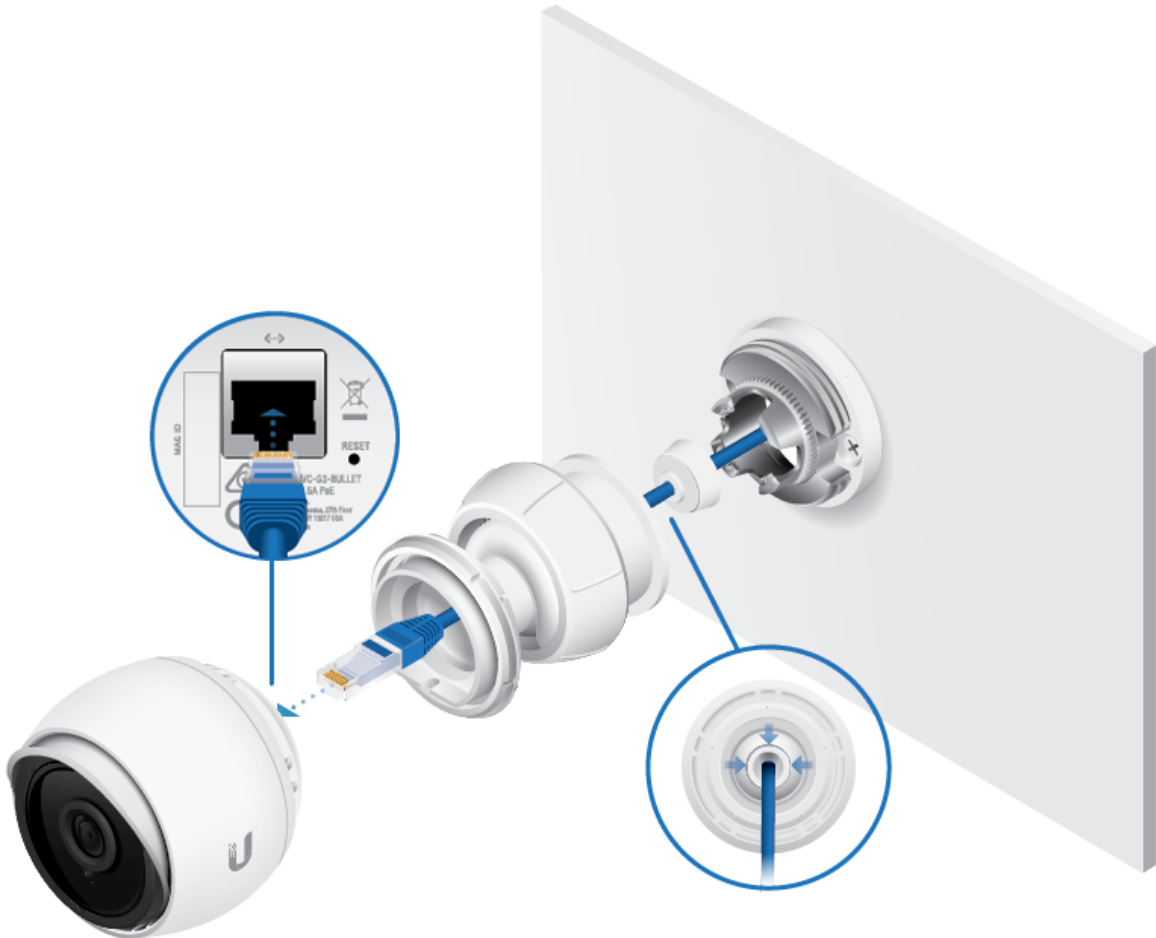




UVC-G3-BULLET Quick Start Guide



7.



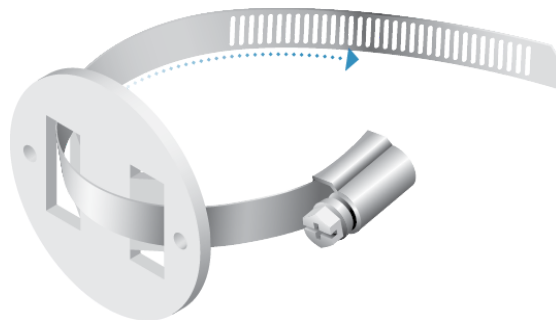


9.



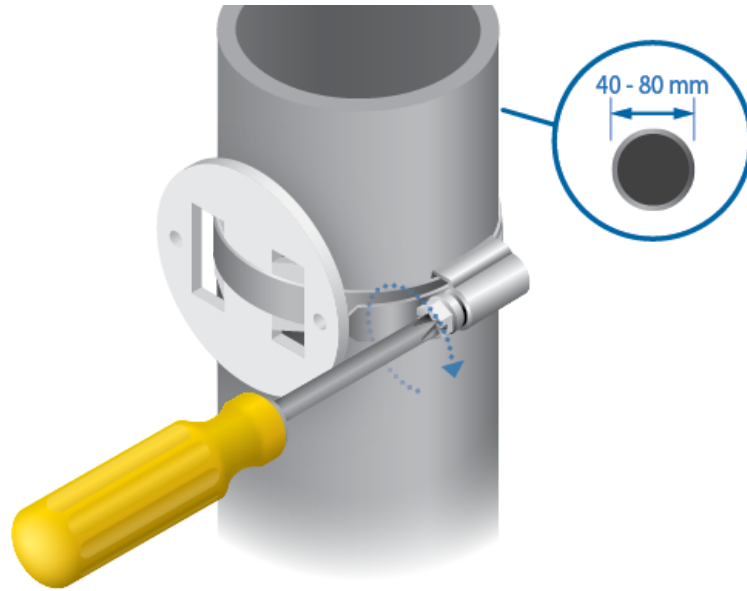
Pole Mount

1.

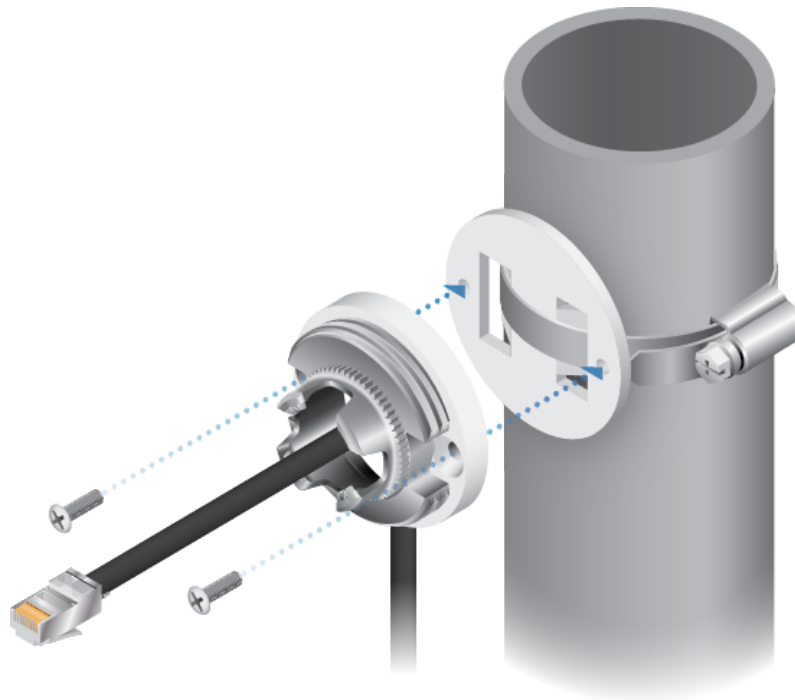




UVC-G3-BULLET Quick Start Guide



3.





5.



Connecting Power



UVC-G3-BULLET Quick Start Guide



UniFi Protect Mobile App



Launch the UniFi Protect Mobile App and follow the on-screen instructions to complete setup.

Adjusting the Camera View



UVC-G3-BULLET Quick Start Guide



2.



Specifications

UVC-G3-BULLET	
Dimensions	Ø 75 x 140 mm (Ø 2.95 x 5.51")
Weight	300 g (10.58 oz)
Enclosure	Injection-Molded Polycarbonate and Die-Cast Aluminum
Networking Interface	(1) 10/100 Ethernet Port
Sensor	1/3" 4-Megapixel HDR Sensor
Lens	EFL 3.6 mm, f/1.8
Viewing Angle	
Before Lens Correction	85° (H), 44.8° (V), 98.1° (D)
After Lens Correction	72° (H), 42.9° (V), 80.4° (D)
Night Mode	IR LEDs with Mechanical IR Cut Filter
Video Compression	H.264



UVC-G3-BULLET Quick Start Guide

Resolution	1080p Full HD (1920 x 1080)
Maximum Frame Rate	30 FPS
Image Settings	Brightness, Contrast, Sharpness, Saturation, Noise Reduction, 50/60 Hz
Processor	Ambarella S2L
Memory	512 MB DDR3L
Management Interface	UniFi Protect
Microphone	Yes
Max. Power Consumption	4W
Power Method	802.3af or 24V Passive PoE
Power Supply	802.3af PoE Switch
Buttons	Factory Reset Button
Mounting	Wall/Ceiling (Kits Included) Pole (Kit Not Included)
Operating Temperature	-20 to 50° C (-4 to 122° F)
Operating Humidity	20 to 90% Noncondensing

Safety Notices

1. Read, follow, and keep these instructions.
2. Heed all warnings.
3. Only use attachments/accessories specified by the manufacturer.



WARNING: Hot surface. Do not touch.



WARNING: Do not use this product in location that can be submerged by water.



WARNING: Avoid using this product during an electrical storm. There may be a remote risk of electric shock from lightning.

Electrical Safety Information

1. Compliance is required with respect to voltage, frequency, and current requirements indicated on the manufacturer's label. Connection to a different power source than those specified may result in improper operation, damage to the equipment or pose a fire hazard if the limitations are not followed.
2. There are no operator serviceable parts inside this equipment. Service should be provided only by a qualified service technician.



ui.com/support/warranty

The limited warranty requires the use of arbitration to resolve disputes on an individual basis, and, where applicable, specify arbitration instead of jury trials or class actions.

Compliance

FCC

Changes or modifications not expressly approved by the party responsible for compliance could void the user's authority to operate the equipment.

This device complies with Part 15 of the FCC Rules. Operation is subject to the following two conditions.

1. This device may not cause harmful interference, and
2. This device must accept any interference received, including interference that may cause undesired operation.

This equipment has been tested and found to comply with the limits for a Class A digital device, pursuant to Part 15 of the FCC Rules. These limits are designed to provide reasonable protection against harmful interference when the equipment is operated in a commercial environment. This equipment generates, uses, and can radiate radio frequency energy and, if not installed and used in accordance with the instruction manual, may cause harmful interference to radio communications. Operations of this equipment in a residential area is likely to cause harmful interference in which case the user will be required to correct the interference at his own expense.

ISED Canada

CAN ICES-3(A)/NMB-3(A)

Australia and New Zealand



Warning: This equipment is compliant with Class A of CISPR 32. In a residential environment this equipment may cause radio interference.

CE Marking

CE marking on this product represents the product is in compliance with all directives that are applicable to it.



WEEE Compliance Statement

Declaration of Conformity



UVC-G3-BULLET Quick Start Guide



© 2023 Ubiquiti Inc. All rights reserved.